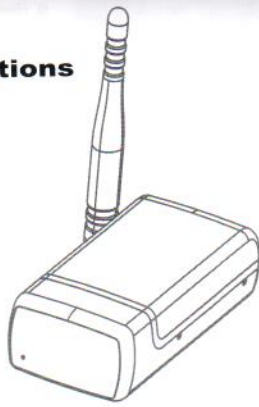


# Wi-Fi Camera Operation Instructions



Thank you for purchasing this product. Please read the manual carefully before using.

## Specification:

<b>Lens:</b>	Fixed focus, f=2.15mm; Viewable angle: 120 °;
<b>Sensor:</b>	1/6 " CMOS, 0.3 Mega Pixels (effective);
<b>Video Size:</b>	640 x 480;
<b>Image Size:</b>	640 x 480;
<b>Voice:</b>	One-Way Transmission;
<b>Wi-Fi Transmission</b>	
<b>Distance:</b>	40-80 Meters (open area);
<b>Language:</b>	English;
<b>Memory Card:</b>	TFT Card;
<b>USB Port:</b>	DC 5V / 1A;
<b>Battery:</b>	3.7V/ 750mA Li-Polymer Battery (rechargeable);
<b>Weight:</b>	About 40g (include battery);
<b>Size:</b>	60 (L) x 30(W) x 19(H) mm;

CM215

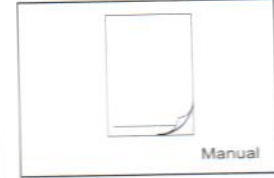
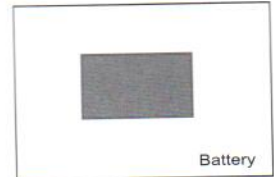
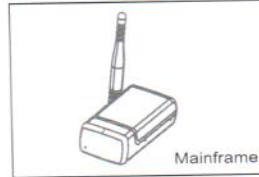
V1.0

## Contents

I. Graphic Instruction	02
II. Packing Contents	04
III. Graphic Installation	05
IV. Operation	07

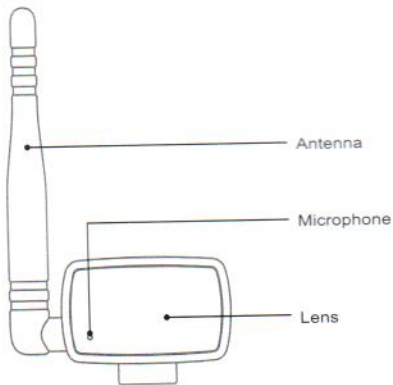
01

## II. Packing Contents



04

## I. Instruction Diagram

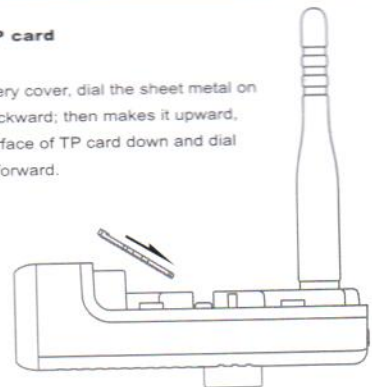


02

## III. Graphic Installation

### 1. Installing TP card

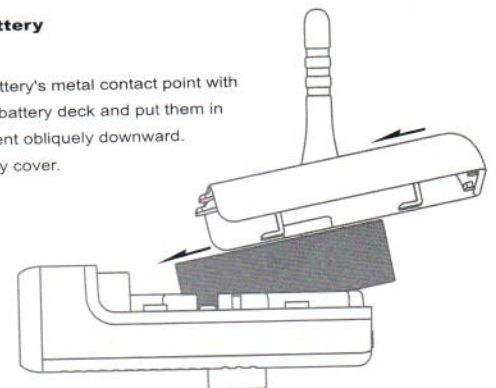
- a. Open the battery cover, dial the sheet metal on TP card deck backward; then makes it upward, put the metal surface of TP card down and dial the sheet metal forward.



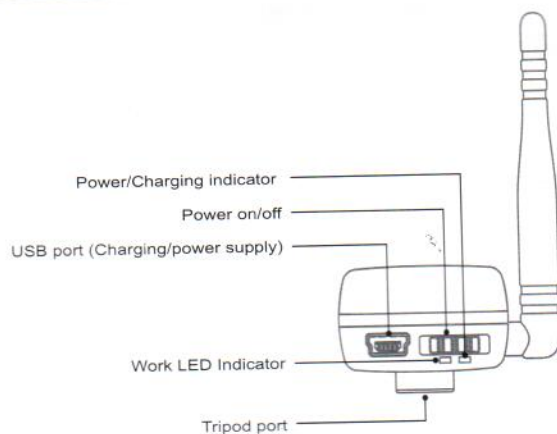
05

### 2. Installing Battery

- a. Aligning the battery's metal contact point with the metal clips on battery deck and put them in battery compartment obliquely downward. Then fix the battery cover.



06



03